

ROADMAX® EDGE

RX-E3 SPECIFICATIONS

Housing: Single piece, die-cast AlSi12 aluminum alloy with <0.6% copper content.

Operating Temperature: -40°C to +50°C (-40°F to +122°F)¹

Mounting: 1.625" - 2.375" (42 - 60 mm) O.D. tenons.

Mounting Methods: Horizontal entry or post-top mount.

Weight: 15 lbs (6.8 kg)

EPA Rating: 0.366 ft² (0.034 m²)

Lens Material: PMMA, IK09 rated glass optional.

Ingress Protection: Power supply and optical assembly are IP66 rated per IEC 60529/ANSI C136.25. Luminaire is rated for wet locations.

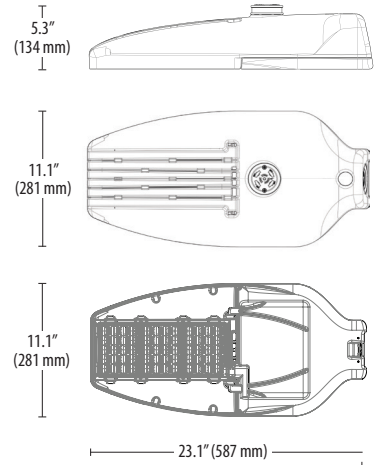
Warranty: 10-year warranty (Standard).

Finish: Durable polyester powdercoat topcoat.

Available Colors:

GREY (RAL-7035)

BLACK (RAL-9005)



ROADMAX RX-E3 (60 LEDs)										
ELECTRICAL										
Power Consumption (W)	126	144	167	181	196	212	230	249	268	286
Drive Currents (mA)	350	400	466	500	560	600	650	700	750	800
LED Voltage (V)	6									
Input Voltage (V)	120 - 277V (Standard), 347 - 480V (Optional), 220-240V (Optional).									
Surge Protection	Meets ANSI C136.2-2023 extreme electrical transient immunity requirements (20kV/10kA).									
Power Factor	>0.90									
Receptacle	7-PIN receptacle (ANSI C136.41), Zhaga Book 18 (Optional).									

OPTICS & PERFORMANCE										
Photometry (Distribution)	2ES (Type II Max Throw) , 3LM (Type III Medium), G2S (Glass Type II Max Throw), G3M (Glass Type III Medium), 4AT (Type IV High Throw), G4T (Glass Type IV), 5RM (Type V Round).									
Color Temperature (CCT)	3000K (Standard), 4000K (Optional), 2700K (Optional), 2200K (Optional), 5000K (Optional).									
Color Rendering Index (CRI)	70									
4000K Fixture Efficacy (Lm/W)	178	174	172	171	171	169	163	163	157	158
4000K Fixture Output (Lm)	22,450	25,200	28,650	30,900	33,750	35,850	37,650	40,750	42,350	45,200
3000K Fixture Efficacy (Lm/W)	172	169	165	163	163	160	155	155	149	149
3000K Fixture Output (Lm)	21,650	24,400	27,600	29,400	32,000	34,000	35,650	38,700	40,000	42,900
2700K Fixture Efficacy (Lm/W)	167	165	161	158	158	156	151	151	145	145
2700K Fixture Output (Lm)	21,150	23,900	26,900	28,600	31,300	33,150	34,800	37,700	39,100	41,850
2200K Fixture Efficacy (Lm/W)	147	146	142	139	139	138	133	133	128	128
2200K Fixture Output (Lm)	18,600	21,100	23,750	25,250	27,650	29,300	30,700	33,300	34,500	36,950
LED L70 (Hours)	> 100,000 hours @ maximum drive current.									

1. CE rated to +50°C ambient (select models). UL certification pending; contact factory for special options. Performance data refer to type 2ES Optic without glass protector. Values shown are subject to ±5% tolerance. Color temperatures shown are ±300K If post-top version is specified, add 5.4" (137 mm) to overall length dimension. Post top must be ordered separately. Illustrated Above: ROADMAX RX-E3 in grey (RAL 7035). All information provided is subject to change without notice.

ROADMAX® EDGE

RX-E3 SPECIFICATIONS

STANDARD OUTPUT ORDERING INFORMATION

Example catalog number: RX-E3-6-60-5-7-2ES-1-S-GY-4-UL-2-S-A-XXXX

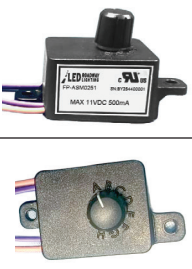
FAMILY	LED SERIES	LEDS	VOLTAGE	RECEPTACLE ¹	OPTICS	POWER	
RX-E3	6	60					
RX-E3	6	60	2 - 220 - 240V 5 - 120 - 277V 6 - 347 - 480V	7 - 7-PIN Receptacle (C136.41) S - Solid Top (No Receptacle) ² Z - Zhaga (Book 18) ² Y - 7-PIN Receptacle (C136.41) on top, Zhaga (Book 18) sensor port on luminaire door. ² W - Zhaga (Book 18) on top, Zhaga (Book 18) sensor port on luminaire door.	2ES - Type II Max Throw 3LM - Type III Medium G2S - Glass Type II Max Throw G3M - Glass Type III Medium 4AT - Type IV High Throw G4T - Glass Type IV 5RM - Type V Round	3 - 126W (350mA) T - 144W (400mA) J - 167W (466mA) R - 181W (500mA) V - 196W (560mA)	6 - 212W (600mA) K - 230W (650mA) 7 - 249W (700mA) G - 268W (750mA) L - 286W (800mA)

DRIVER OPTION ²	FINISH	COLOR TEMP (CCT) ³	CERTIFICATION ⁴	MOUNTING METHOD ⁵	WIRING CHAMBER
			UL		
S - Standard Dimming (1-10V) D - DALI 4 - D4i	GY - Grey (RAL 7035) BK - Black (RAL 9005)	4 - 4000K (Standard) 3 - 3000K (Optional) 2 - 2700K (Optional) D - 2200K (Optional) 5 - 5000K (Optional)	UL - cULus	2 - 2-Bolt Horizontal Mount 4 - 4-Bolt Horizontal Mount	S - Standard F - Field Adjustable Output (FAO) Switch ⁶

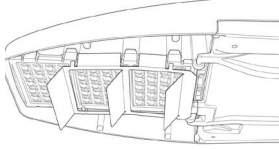
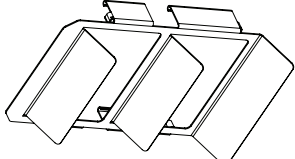
SURGE PROTECTION	OTHER OPTIONS
A	
A - 20 kV / 10 kA Fail-Off	If applicable, insert 4 digit Special Product Request code (SPR)

CATALOG NUMBER:

FIELD ADJUSTABLE OUTPUT SWITCH (FAO) ⁷	
FAO POSITION	% OF LED WATTAGE
A	100%
B	91%
C	79%
D	67%
E	55%
F	44%
G	33%
H	23%



PHOTOCELL & CONTROLS	
Photocell Options	20-year life photocell available. A complete range of wireless control and monitoring solutions are available.
Shorting Cap	120-248V shorting cap available (ordered separately).
Control & Monitoring	Dimming power supply (1-10V) is standard equipment. A complete range of wireless control and monitoring solutions are available. DALI and D4i drivers optional.

LIGHT TRESPASS SHIELD (REVERSIBLE) ACCESSORY	
Accessory ships separately	Part number: LRL-MTL0163-LF
	

1. Consult factory for lead time for all options that are not standard "7 pin" receptacle. If photocells are required, they must be ordered separately. 2. If Memory Banks (DALI Part 251) info is to be populated, separate form 'DALI Ordering Guide' will need to be filled in and submitted for the order to be processed. 3. Other color temperatures available. 4. CE rated to +50°C ambient (select models). UL certification pending; contact factory for special options. 5. If post-top mount required, bracket must be ordered separately. 6. Requires 1-10V dimming driver option 7. Typical value accuracy +/- 5%

Information provided is subject to change without notice. Evluma, supplies and warrants luminaires and proprietary control systems only. It is the responsibility of the client to select lighting poles and mounting arms that are suitable for the application (including but not limited to wind loading, seismic requirements, etc.) and the characteristics of the luminaire (e.g. EPA rating), and to confirm integrity and suitability of existing poles and mounting arms prior to installation. Copyright © 2026 Express Imaging Systems, LLC. Evluma, RoadMax and RoadMax Edge are trademarks of Express Imaging Systems, LLC. All rights reserved.